



## RESIDENTIAL R-43 SPECS

Sun-Power Security Gates, Inc.  
438 Tyler Rd  
P.O. Box 2044  
Merced, CA 95344  
209.722.3990 Phone  
209.722.7402 Fax  
SolarGates@Sun-Power.com

### **OPERATOR FRAME**

2 x 2 x 065 galvanized square tubing.

### **COVER**

20 gauge Redi-Kote sheet metal.

### **PIVOT POST**

4 x 2 x 250 rectangular tubing with 1 1/2 cold roll round shaft.

### **EMERGENCY DISCONNECT**

Manual release for finger touch opening, with optional 3 way Electrical key switch.

### **GATE OPENING TIME**

6 to 8 seconds.

### **DIMENSIONS**

Model R-43 W=50" H=50" D=26"

### **CAPACITIES**

R43- max gate length 16ft. Max gate height 5ft.

### **POWER**

12 volt power system solar charged or by standard 120 VAC trickle charger.  
inline fuse protection

### **PRIMARY VOLTAGE**

12 volt DC .

### **MOTOR**

1/7 horse power DC instant reverse.

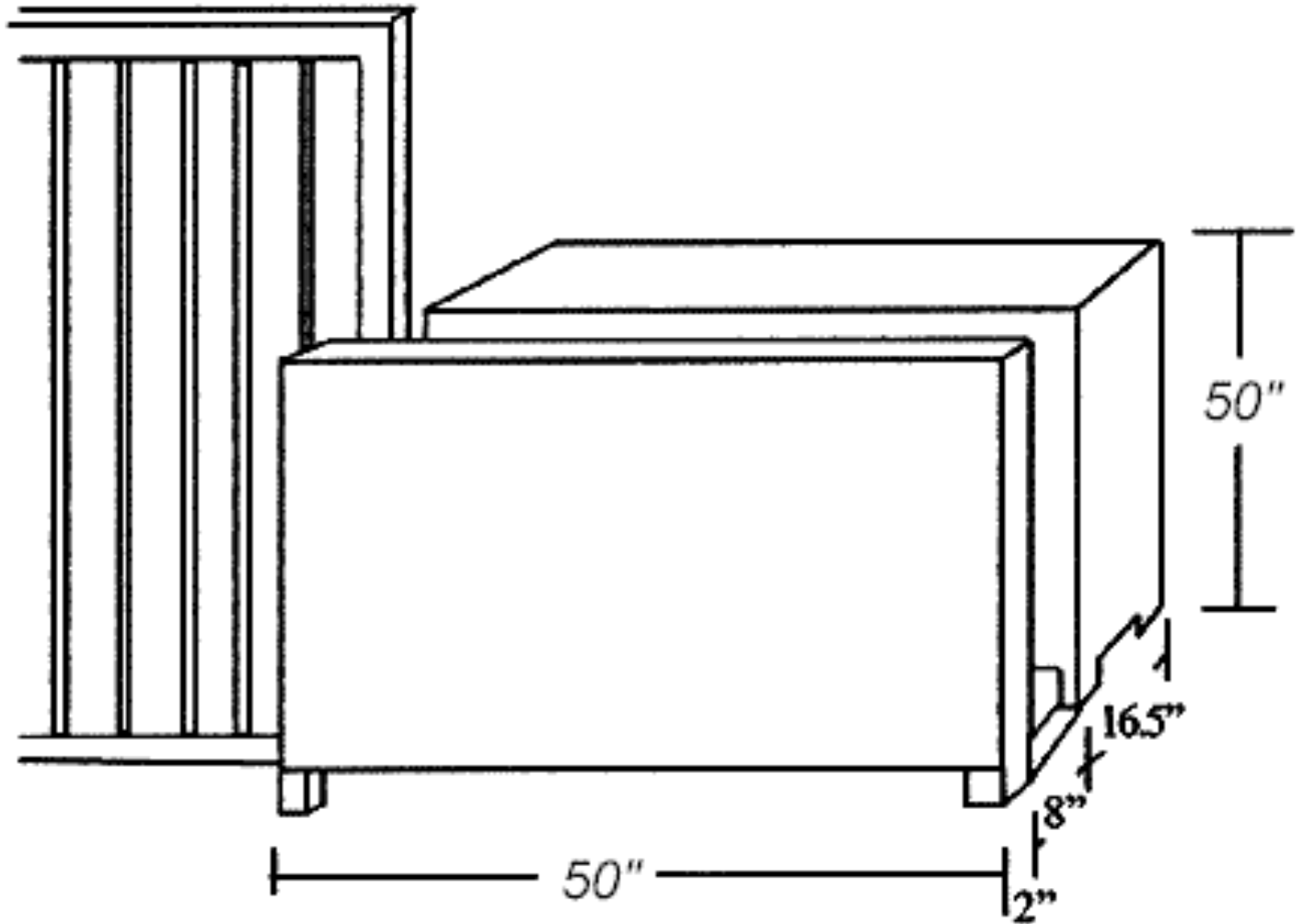
Weather tight electrical component enclosure



# RESIDENTIAL R-43 SPECS

Sun-Power Security Gates, Inc.  
438 Tyler Rd  
P.O. Box 2044  
Merced, CA 95344  
209.722.3990 Phone  
209.722.7402 Fax  
SolarGates@Sun-Power.com

## GATE MEASUREMENTS



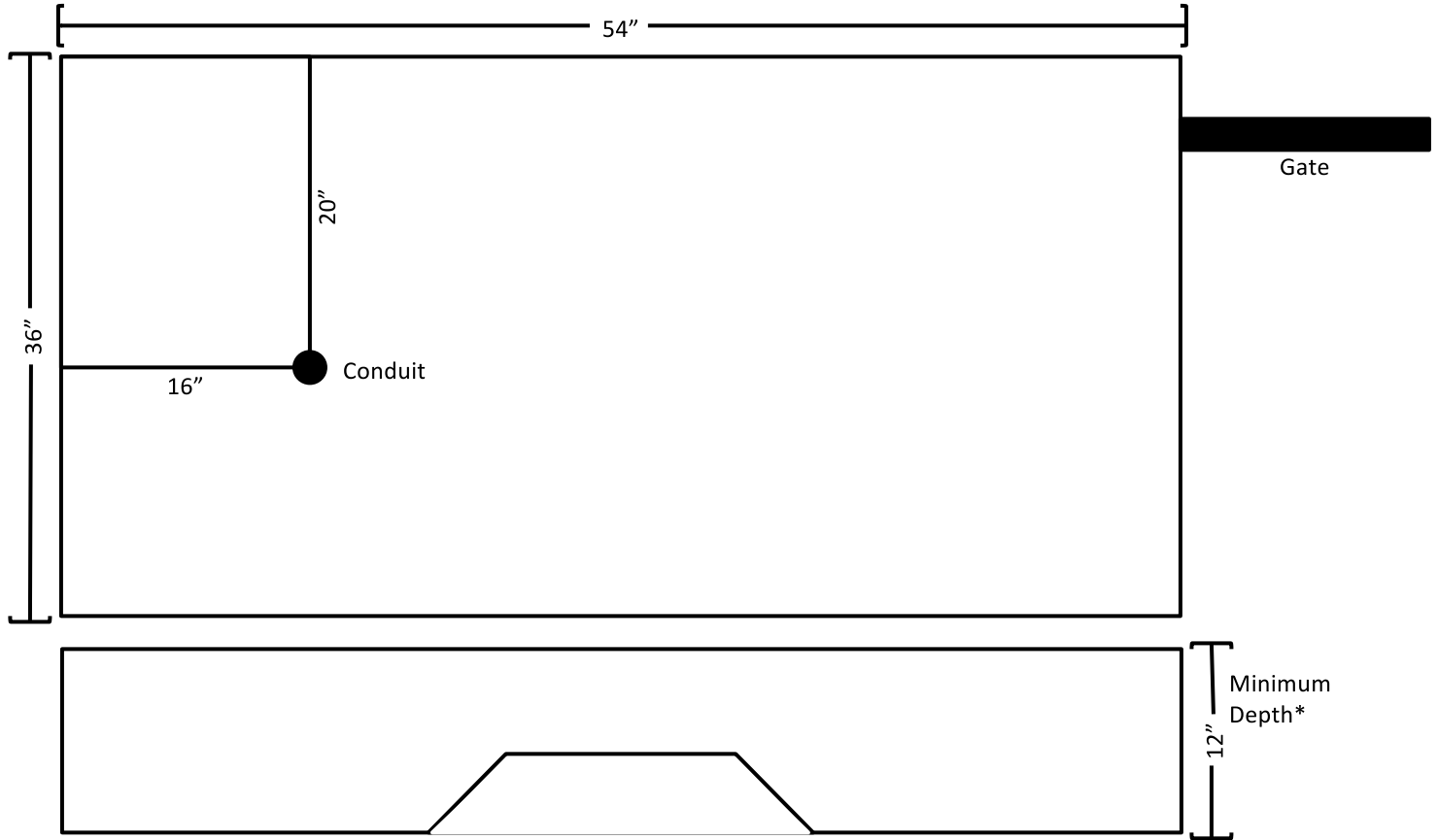
\*For areas with a frost line consult local building codes for depth requirements



# RESIDENTIAL R-43 SPECS

Sun-Power Security Gates, Inc.  
438 Tyler Rd  
P.O. Box 2044  
Merced, CA 95344  
209.722.3990 Phone  
209.722.7402 Fax  
SolarGates@Sun-Power.com

## PAD REQUIREMENTS LEFT SIDE UNIT - RIGHT SIDE GATE



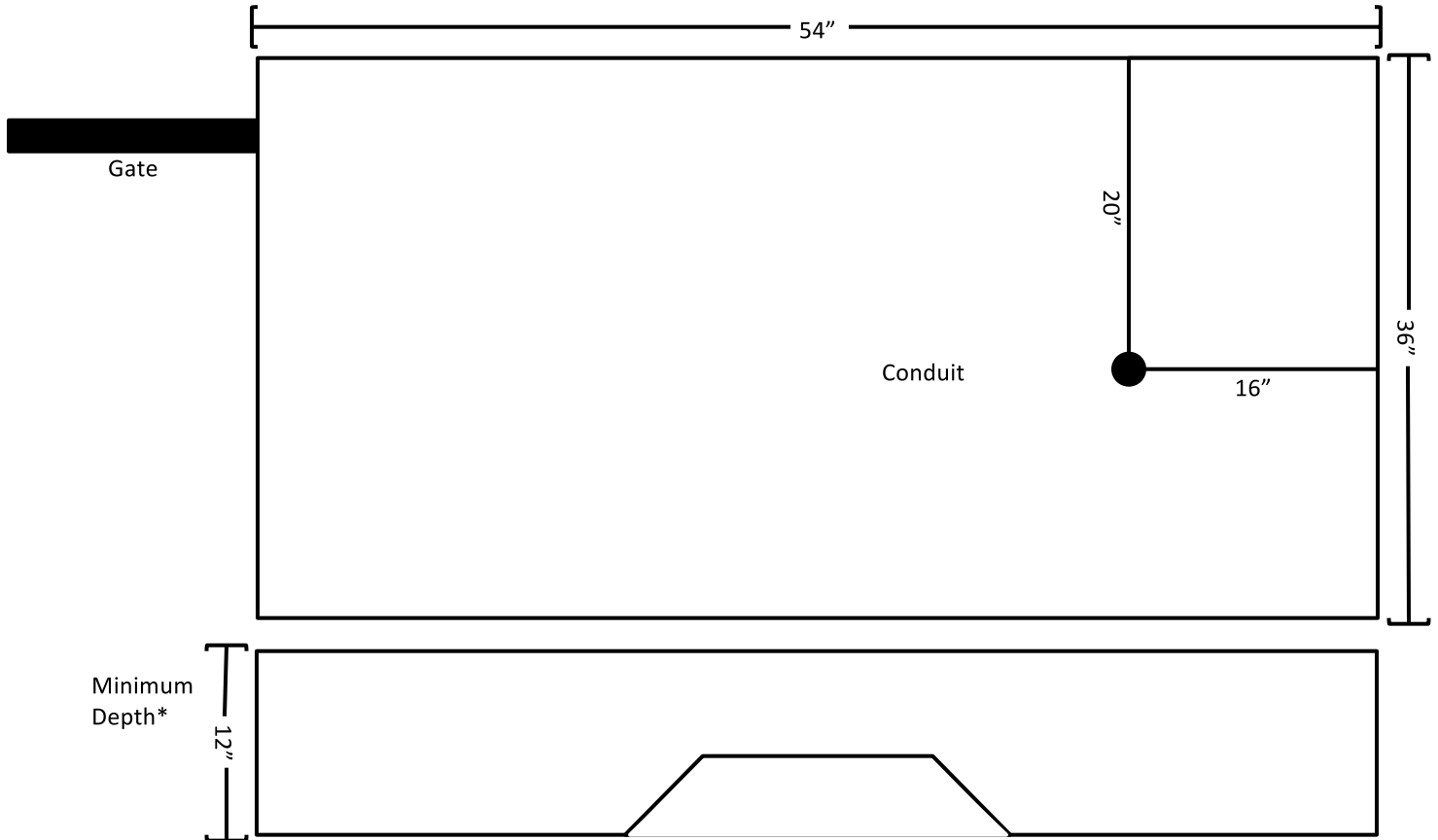
\*For areas with a frost line consult local building codes for depth requirements



# RESIDENTIAL R-43 SPECS

Sun-Power Security Gates, Inc.  
438 Tyler Rd  
P.O. Box 2044  
Merced, CA 95344  
209.722.3990 Phone  
209.722.7402 Fax  
SolarGates@Sun-Power.com

## PAD REQUIREMENTS RIGHT SIDE UNIT - LEFT SIDE GATE



\*For areas with a frost line consult local building codes for depth requirements