



COMMERCIAL C-50 SPECS

Sun-Power Security Gates, Inc.
438 Tyler Rd
P.O. Box 2044
Merced, CA 95344
209.722.3990 Phone
209.722.7402 Fax
SolarGates@Sun-Power.com

OPERATOR FRAME

2 x 2 x 065 galvanized square tubing.

COVER

20 gauge Redi-Kote sheet metal.

PIVOT POST

4 x 2 x 250 rectangular tubing with 1 1/2 cold roll round shaft.

EMERGENCY DISCONNECT

Manual release for finger touch opening, with optional 3 way Electrical key switch.

GATE OPENING TIME

6 to 8 seconds.

DIMENSIONS

Model C-50 W=67" H=50" D=26"

CAPACITIES

MC50- max gate length 20ft. Max gate height 7ft.

POWER

12 volt power system solar charged or by standard 120 VAC trickle charger.
inline fuse protection

PRIMARY VOLTAGE

12 volt DC .

MOTOR

1/7 horse power DC instant reverse.

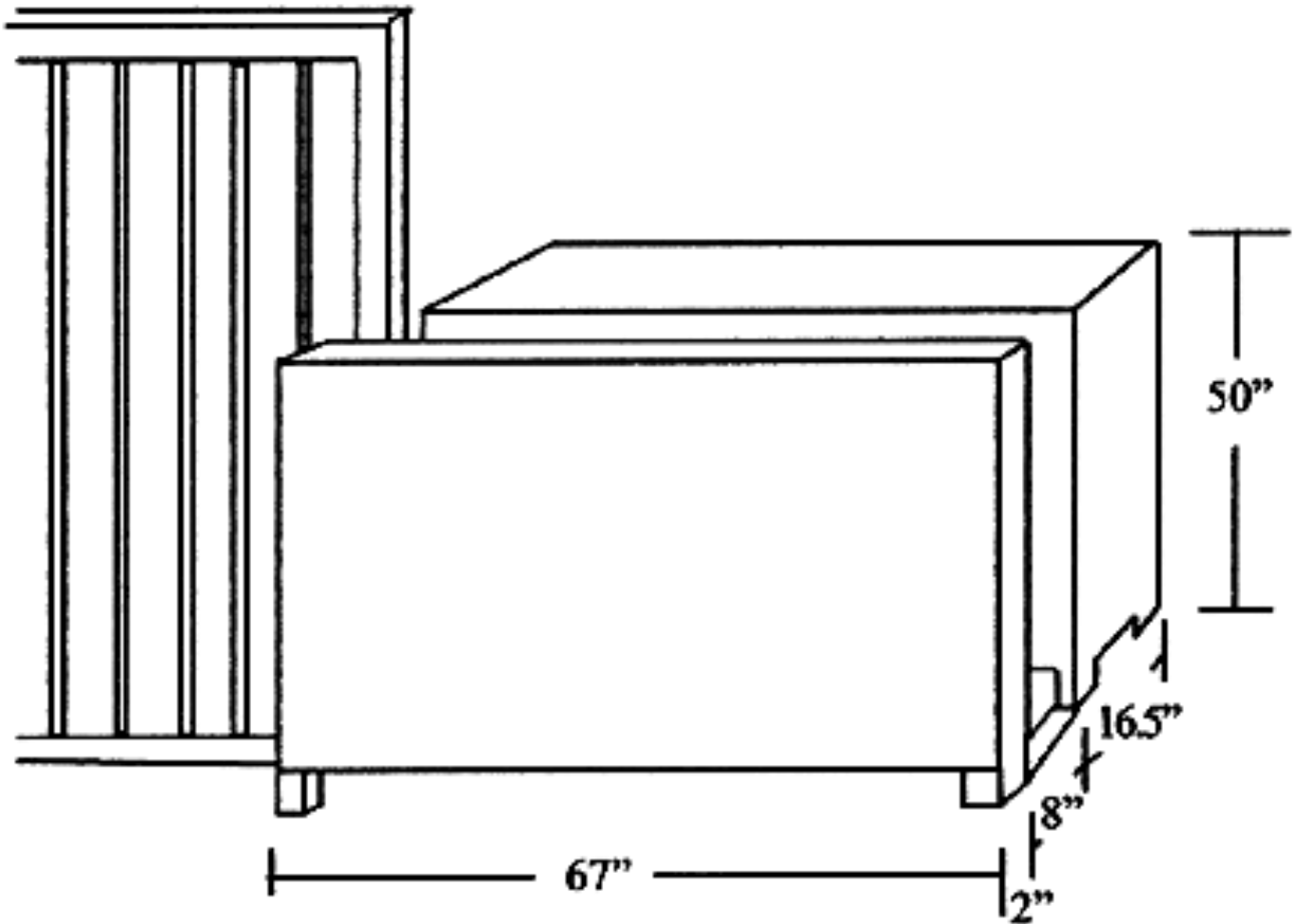
Weather tight electrical component enclosure



COMMERCIAL C-50 SPECS

Sun-Power Security Gates, Inc.
438 Tyler Rd
P.O. Box 2044
Merced, CA 95344
209.722.3990 Phone
209.722.7402 Fax
SolarGates@Sun-Power.com

UNIT MEASUREMENTS

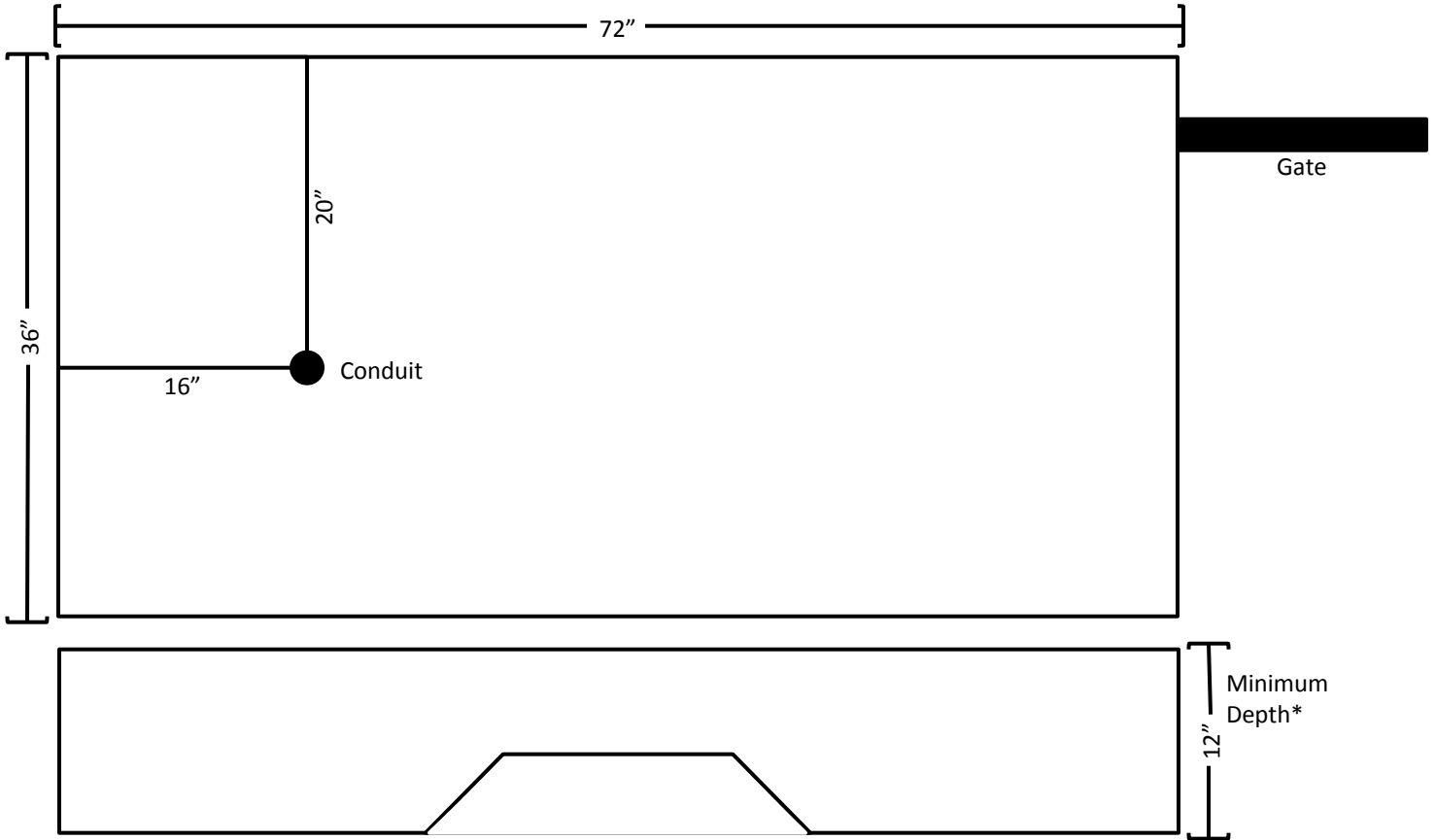




COMMERCIAL C-50 SPECS

Sun-Power Security Gates, Inc.
438 Tyler Rd
P.O. Box 2044
Merced, CA 95344
209.722.3990 Phone
209.722.7402 Fax
SolarGates@Sun-Power.com

PAD REQUIREMENTS LEFT SIDE UNIT - RIGHT SIDE GATE



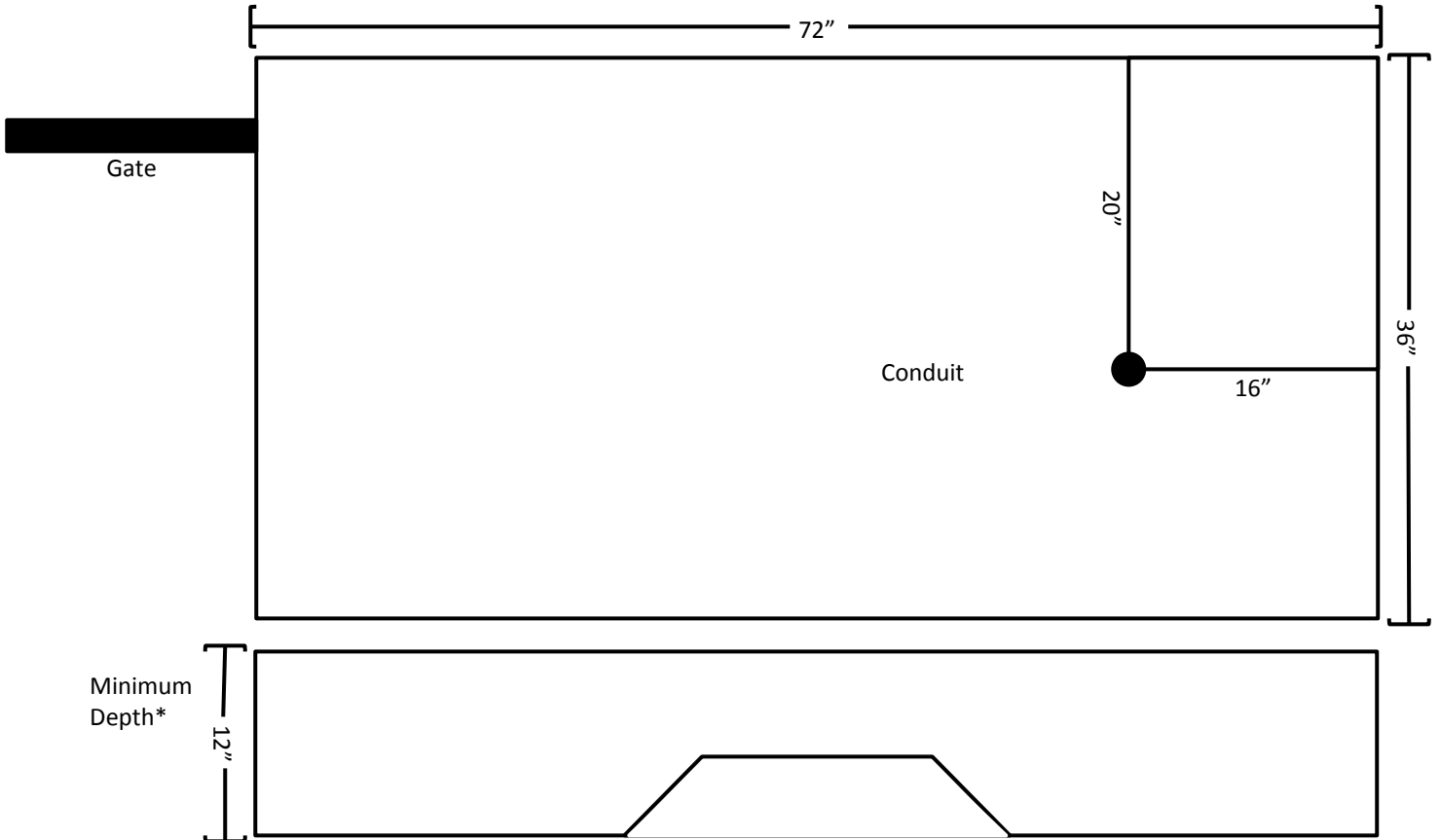
*For areas with a frost line consult local building codes for depth requirements



COMMERCIAL C-50 SPECS

Sun-Power Security Gates, Inc.
438 Tyler Rd
P.O. Box 2044
Merced, CA 95344
209.722.3990 Phone
209.722.7402 Fax
SolarGates@Sun-Power.com

PAD REQUIREMENTS RIGHT SIDE UNIT - LEFT SIDE GATE



*For areas with a frost line consult local building codes for depth requirements